



PROTECH PUMPS

Air Driven Pumps & Boosters

PBD130 Air Driven Gas Booster **Double Acting Single Stage**



- Stainless steel wetted materials of construction
- Specialised construction materials available
- PTFE pressure seals as standard
- Built-in cooling of gas barrels (most models)
- Separation between gas & pneumatic seals
- No airline lubrication required
- 120mm stroke reduces cycle rate & increases life
- Suitable for most hazardous areas
- Suitable for most gases
- Available as a complete packaged system (ProPak)

Specifications

| | | | |
|-----------------------------|---|--------------------------------|-----------------------|
| Air Drive Media | Compressed Air, Nitrogen or other Non-Corrosive Gas | Displacement per Cycle | 37 cc (2.27 cu. in) |
| Ratio | 130:1 | Max Air Drive Pressure | 8 bar (116 psi) |
| Weight | 24kg (52 lbs) | Min Inlet Gas Pressure | 45 bar (650 psi) |
| Static Stall Formula | 130 x Air Drive + Gas Inlet | Max Outlet Gas Pressure | 1600 bar (23,200 psi) |

Typical Applications

Gas pressure & leak testing
Accumulator charging
Breathing air systems
Leak detection systems
Gas transfer
Automotive air bag filling
Aviation charging

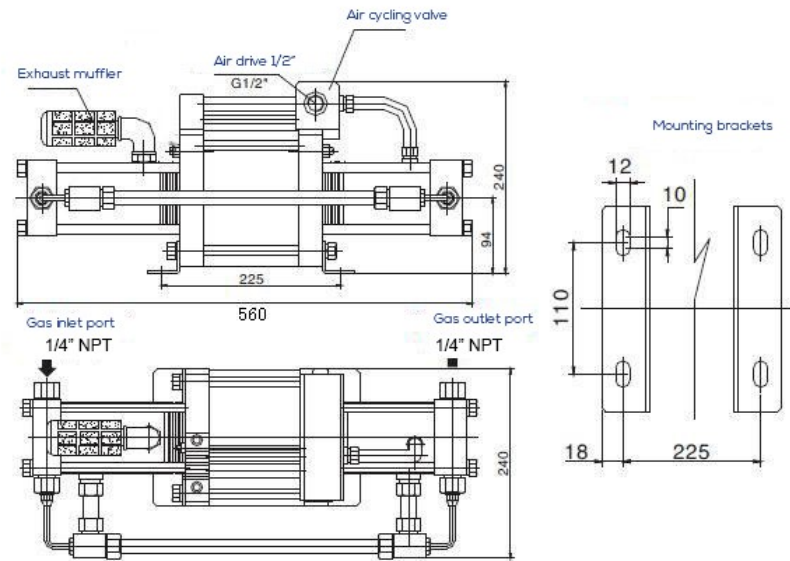
Typical Gases

Compressed Air
Nitrogen (N₂)
Carbon Dioxide (CO₂)
Helium (He)
Hydrogen (H₂)
Oxygen (O₂)
Argon (Ar)
Plus many more



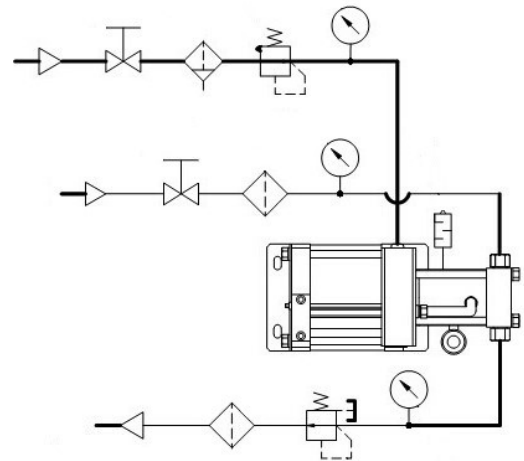
PROTECH PUMPS

Air Driven Pumps & Boosters



PROPAK2 Standard Gas Booster System

Each PROPAK is a self contained Stainless Steel unit which incorporates the following items: Air pressure regulator, air filter, air pressure gauge and on/off speed control valve; ProTech air driven gas booster up to 1090 bar; gas inlet & outlet filters, pressure relief valve; gas inlet & outlet isolation. Additional accessories are available including air pilot switches, data acquisition packages and receivers



PROTECH PUMPS has more than 50 years of hydraulic and pneumatic engineering experience in the design and manufacture of pumps and systems for pressure testing and chemical injection. Continuous investment in new machinery and advanced technology keeps **PROTECH PUMPS** at the forefront of the field. We offer one of the most complete range of Air Driven Pumps & Boosters in the industry measured for:

- > Capability of ultimate pressure, flow or output horsepower.
- > Compatibility with a broad variety of liquids, such as oil, water and chemical applications.

ProTech Pumps

Tel:- +61 7 3277 8822
www.protechpumps.com

Tel:- +1 214 785 8190
info@protechpumps.com