

PS/PSH SERIES Air Driven Liquid Pump

Single Acting Single 72mm Air Head



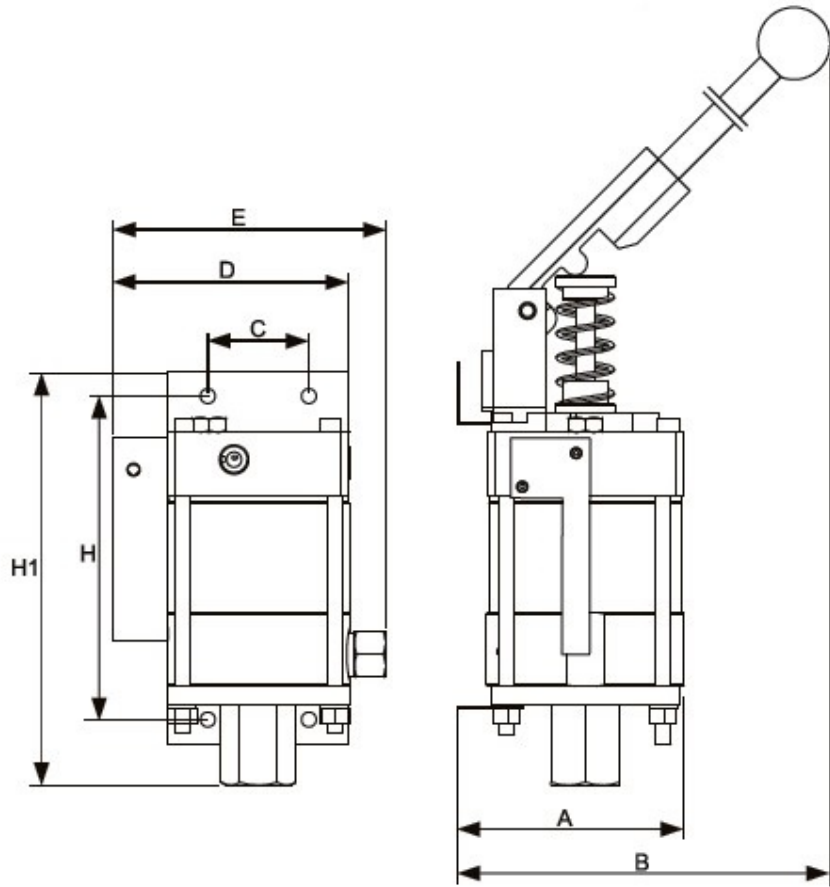
- Stainless steel wetted materials of construction
- Specialised construction materials available
- Polyurethane pressure seals as standard
- UHMWPE, PTFE & other special seals available
- Separation & drainage between hydraulic & pneumatic seals
- No airline lubrication required
- PSH series complete with hand pump attachment
- Suitable for most hazardous areas
- Available as a complete packaged system (PP1)

Model	Actual Pressure Ratio	Displacement cu in / cc	Max Outlet Pressure psig/barg* (at drive pressure of 8.3 bar)	Connection Inlet A/Outlet B
PS5	5.6:1	0.82 / 13.6	625 / 43	3/4"NPT / 1/2"NPT
PS7	7.8:1	0.59 / 9.8	900 / 62	3/4"NPT / 1/2"NPT
PS12	14:1	0.36 / 5.9	1,500 / 103	3/8"NPT / 1/4"NPT
PS21	25:1	0.20 / 3.3	2,600 / 179	3/8"NPT / 1/4"NPT
PS36	41:1	0.12 / 2.0	4,500 / 310	3/8"NPT / 1/4"NPT
PS71	82:1	0.06 / 1.0	8,800 / 606	3/8"NPT / 1/4"NPT
PS110	126:1	0.03 / 0.6	13,500 / 930	3/8"NPT / 1/4"NPT
PS188	217:1	0.02 / 0.4	15,000 / 1,034	3/8"NPT / 1/4"HF
PS220	237:1	0.02 / 0.34	25,000 / 1,723	3/8"NPT / 1/4"HF

The maximum acceptable air drive pressure (**Pa**) is 8.3 bar.

PS/PSH Series Dimensions

Size A	3.82in.(97mm)
Size B	10in.(254mm)
Size C	1.65in.(42mm)
Size D	4.13in.(105mm)
Size E	4.8in.(122mm)
Size H	5.59in.(142mm)
Size H1	6.89in.(175mm)
Air IN	1/4 Female NPT



The PSH series includes the Hand Pump Attachment installed

An upgrade kit is available for the PS series should a hand pump be required at a later date

The ProTech air driven liquid pump can be mounted in any orientation. However, vertically provides the best method and increases seal life and assists in preventing any leakage of high pressure fluid entering the air drive.

MODEL SELECTION

It is very important to remember that the performance of any air driven device is very dependent on the air supply conditions. Restrictions in the air supply can be caused by using a too small air compressor or airlines. Do not "Design to the line". Allow for losses and inefficiencies.

The next question is whether you want the pump to stall when an outlet pressure is reached. If so, a simple airline pressure regulator will suffice, but remember, the flow drops off dramatically as the pump reaches a stall condition.

If you require flow at a particular pressure, then you need to read the flow charts carefully and conservatively. If you need the pump to stop at a certain pressure, prior to stall, then an air pilot switch needs to be installed. Please see the ProTech Valves and Accessories for selection.

AIR SUPPLY

To obtain maximum continuous performance from a ProTech Air Driven Liquid Pump we recommend the use of an air compressor with a minimum free air delivery (FAD), **to the pump**, corresponding to the pressure you wish to use.

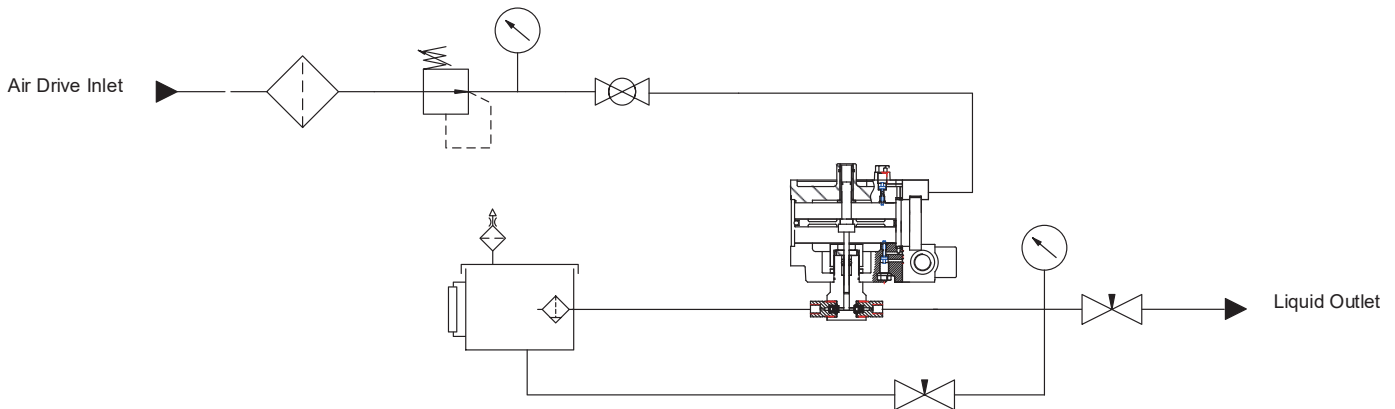
As a guide:

Series	FAD required at the inlet of the pump
PM	30 scfm (48 nm ³ /hr)
PX/PXD	45 scfm (72 nm ³ /hr)
PG/PGD/PEX	70 scfm (113 nm ³ /hr)
2PG/2PGD	85 scfm (137 nm ³ /hr)
PT/PH	225 scfm (362 nm ³ /hr)

Air line filters are recommended and should be installed to ensure clean, dry air is supplied to the pump or booster. Additionally, air line pressure regulators should be used to ensure the air drive pressure is not higher than is recommended for required.

PP1 Standard Pressure Test System

Each PROPAK is a self contained Stainless Steel unit which incorporates the following items: Air pressure regulator, air filter, air pressure gauge and on/off speed control valve; ProTech air driven liquid pump up to 3200 barg; Stainless Steel liquid tank with suction strainer or external connection, sight glass and filler/breather cap; outlet pressure gauge; return to tank valve and discharge outlet connection.



WARRANTY

ProTech Pumps are fit for purpose providing they are used in accordance with instructions laid out within the related IOM. We warrant that they are free from defects and in the rare occasion that a product is defective, we will repair or replace the product within a period of 12 months from the purchase date. Please read our full warranty conditions on our web site.

PROTECH PUMPS has more than 50 years of hydraulic and pneumatic engineering experience in the design and manufacture of pumps and systems for pressure testing and chemical injection. Continuous investment in new machinery and advanced technology keeps **PROTECH PUMPS** at the forefront of the field. We offer one of the most complete range of Air Driven Pumps & Boosters in the industry measured for:

- > Capability of ultimate pressure, flow or output horsepower.
- > Compatibility with a broad variety of liquids, such as oil, water and chemical applications.